



(ISO 9001:2015 CERTIFIED COMPANY)



S.K. Enterprises

Manufacture and Supply of Transformers, Chokes and Magnetic Inductors For Electronics Applications

ABOUT

S.K. Enterprises, well known for its innovation, quality and commitment to customers worldwide, offers engineering design, development and innovation for various electrical components like Transformers, Inductors, Chokes etc. We offer manufacturing services with or without product design services on a cost plus model for small and large volume of electrical components. The quest for excellence is our eternal pursuit in serving our customers. S.K. Enterprises is an ISO 9001:2015 certified company.

Our products are known for various features such as Accurate Precision, Optimum Performance, Low Maintenance, Long Service Life, Durability, Thermal Stability and Corrosion Resistance, which are widely used in electronic industries. To meet the bulk requirements of our clients, we have a well-developed infrastructure as well as a highly dedicated group of professionals in different departments like design, engineering and marketing to carry out the production process in a systematic manner.

PRODUCTS PORTFOLIO

We are providers of an exhaustive range of the product range encompasses ferrite core based Switching Power transformers, custom Inductors and a range of accessory magnetic components such as Common Mode Chokes, Input & DC output Filter Chokes in rod, drum & toroidal geometries.

QUALITY@S.K. ENTERPRISES

S.K. Enterprises strives hard to maintain a strict Quality conscious approach in delivering all its products. Our staffs are well trained to understand, follow and know the importance of adhering to Quality procedures in all the manufacturing processes.

S.K. Enterprises's aim is not just customer satisfaction, but developing long-lasting, ethical relationships with them. S.K. Enterprises not only works on the concept of continuous improvement but it has now embarked on adopting technology in an innovative and efficient manner.

S.K. Enterprises is proud to be among the pioneers in implementing technology based production data capturing system.

OUR PRODUCTS

6x8 Drum Cores

Sl.No	Product Description	Our Part No
1	4.7uH/1.5A/6x8	3020608-001
2	47uH/0.5A/6X8	3020608-006
3	3.3uH/1.5A/6X8	3020608-016
4	25uH/0.6A /6x8	3020608-023
5	3.3uH/2.66A/6x8	3020608-025
6	800uH/0.15A/6X8	3020608-029
7	1mH/0.20A/6X8	3020608-032
8	5uH/0.5A/6x8	3020608-033
9	3.3uH/0.5A/6X8	3020608-038
10	10uH/0.12A/6X8	3020608-040
11	220uH/0.12A/6X8	3020608-041
12	470uH/0.12A/6X8	3020608-042
13	3.3uH/1A/6x8	3020608-044
14	1uH/0.12A/6X8	3020608-052
15	3.3mH/0.15A/6x8	3020608-059
16	3.3uH/1.2A/6x8	3020608-063
17	5uH/2.5A/6X8	3020608-072
18	1mH/0.2A/6X8	3020608-073
19	1.1mH/0.2A/6X8	3020608-085
20	2mH/0.10A/6x8	3020608-091
21	1uH/1A/6x8	3020608-099
22	2.2uH/1A/6x8	3020608-100
23	4.7uH/0.5A/6x8	3020608-101
24	22uH/0.3A/6x8	3020608-110
25	220uH/0.3A/6x8	3020608-111
26	5mH/0.15A/6x8	3020608-112
27	4.2mH/0.15A/6x8	3020608-114
28	4.7mH/0.2A/6x8	3020608-115
29	3.9mH/0.2A/6x8	3020608-116
30	6.8uH/2A/6x8	3020608-124
31	10uH/1.5A/6x8	3020608-127
32	3.3uH/1.8A/6x8	3020608-135
33	47uH/0.3A/6x8	3020608-138
34	2.2uH/2A/6x8	3020608-140
35	100uH/0.5A/6x8	3020608-160
36	5.5mH/0.15A/6x8	3020608-161

8x12 Drum cores

Sl.No	Product Description	Our Part No
1	47uH/1.2A/8x12	3020812-065
2	1mH/0.5A/8X12	3020812-069
3	10uH/1A/8x12	3020812-122
4	220uH/0.5A/8x12	3020812-123
5	33uH/1.5A/8x12	3020812-142

8x10 Drum cores

Sl.No	Product Description	Our Part No
1	100uH/0.5A/8x10	3020810-002
2	22uH/2A/8X10	3020810-019
3	70uH/0.5A/8x10	3020810-020
4	2.2mH/0.25A/8X10	3020810-024
5	100uH/0.5A/8x10	3020810-027
6	1mH/0.25A/8x10	3020810-030
7	170uH/0.5A/8x10	3020810-037
8	220uH/0.5A/8x10	3020810-043
9	170uH/0.7A/8x10	3020810-047
10	220uH/0.3A/8x10	3020810-048
11	220uH/0.5A/8x10	3020810-051
12	47uH/1A/8x10	3020810-054
13	220uH/1.1A/8x10	3020810-055
14	1.5mH/0.3A/8x10	3020810-058
15	1mH/0.28A/8X10	3020810-070
16	1mH/0.425A/8x10	3020810-071
17	47uH/1.5A/8x10	3020810-076
18	10uH/1A/8x10	3020810-078
19	1mH/0.4A/8x10	3020810-079
20	200uH/1A/8x10	3020810-080
21	800uH/0.3A/8X10	3020810-081
22	330uH/0.5A/8X10	3020810-084
23	10mH/0.1A/8x10	3020810-087
24	15uH/2A/8x10	3020810-088
25	47uH/1.5A/8x10	3020810-089
26	5mH/0.2A/8x10	3020810-096
27	1.2mH/0.15A/8x10	3020810-097
28	10uH/2A/8x10	3020810-106
29	6.8uH/2A/8x10	3020810-109
30	4.7mH/0.2A/8x10	3020810-117
31	3.3mH/0.2A/8x10	3020810-125
32	47uH/0.5A/8x10	3020810-126
33	2.2uH/5A/8x10	3020810-131
34	33uH/1.2A/8x10	3020810-133
35	33uH/1A/8x10	3020810-141
36	470uH/0.40A/8x10	3020810-147
37	5uH/3A/8x10	3020810-152
38	200uH/0.8A/8x10	3020810-166
39	250uH/0.6A/8x10	3020810-167
40	4uH/3.5A/8x10	3020810-169

10x12 Drum cores

Sl.No	Product Description	Our Part No
1	4.7uH/2A/10x12	3021012-003
2	1mH/0.3A/10X12	3021012-005
3	220uH/0.85A/10x12	3021012-007
4	2mH/0.45A/10X12	3021012-008
5	1.5mH/0.3A/10X12	3021012-009
6	10mH / 0.10A /10X12	3021012-012
7	1mH/0.5A/10X12	3021012-014
8	73uH/2A/10X12	3021012-022
9	180uH/1A/10X12	3021012-028
10	120uH/1.5A/10x12	3021012-045
11	300uH/1A/10X12	3021012-046
12	10uH/3A/10x12	3021012-049
13	147uH/1.5A/10x12	3021012-050
14	500uH/0.4A/10x12	3021012-056
15	525uH/0.4A/10X12	3021012-060
16	1mH/0.4A/10x12	3021012-062
17	330uH/0.6A/10x12	3021012-064
18	100uH/2A/10X12	3021012-067
19	250uH/1.5A/10X12	3021012-074
20	1mH/0.6A/10x12	3021012-082
21	3.6mH/0.3A/10x12	3021012-083
22	2.2mH/0.3A/10x12	3021012-092
23	1mH/0.7A/10x12	3021012-094
24	330uH/1A/10x12	3021012-103
25	2.2mH/0.4A/10x12	3021012-104
26	15mH/0.15A/10x12	3021012-113
27	2.2mH/0.175A/10x12	3021012-119
28	330uh/0.7A/10x12	3021012-128
29	330uH/0.8A/10x12	3021012-144
30	800uH/0.7A/10x12	3021012-146
31	3.3uH/5.5A/10x12	3021012-148
32	5uH/6A/10x12	3021012-153
33	700uH/27swg/10x12	3021012-158
34	1.2mH/29swg/10x12	3021012-159
35	100uH/2.5A/10x12	3021012-164
36	250uH/1A/10x12	3021012-165

12x15 Drum cores

Sl.No	Product Description	Our Part No
1	68uH/1.8A/12X15	3021215-004
2	220uH/1.5A/12X15	3021215-010
3	4mH/0.6A/12X15	3021215-011
4	4.2mH/0.6A/12x15	3021215-013
5	1.5mH/0.7A/12X15	3021215-015
6	22uH/6A/12x15	3021215-017
7	150uH/2A/12X15	3021215-018
8	170uH/2A/12X15	3021215-026
9	330uH/2A/12X15PIN	3021215-039
10	135uH/2A/12X15WPIN	3021215-053
11	2.2mH/0.7A/12x15	3021215-057
12	300uH/0.85A/12X15	3021215-066
13	2.7mH/0.3A/12X15	3021215-075
14	5.6mH/0.6A/12X15	3021215-090
15	2.2mH/0.6A/12x15	3021215-102
16	1mH/0.4A/12X15	3021215-105
17	2mH/0.6A/12x15	3021215-107
18	1.6mH/0.75A/12x15	3021215-108
19	22uH/5A/12X15	3021215-129
20	490uH/1.2A/12x15	3021215-132
21	33uH/5A/12x15	3021215-136
22	390uH/24swg/12x15	3021215-155
23	410uH/25swg/12x15	3021215-156
24	680uH/26swg/12x15	3021215-157
25	100uH/4A/12x15	3021215-162
26	160uH/3A/12x15	3021215-163
27	1mH/1A/12x15	3021215-168

Transformers Bobbin size

EE10	EFD25	ETD25	PQ3230
EE13	EFD30	ETD29	PQ3535
EE16	EI28	ETD34	PQ4040
EE19	EI30	ETD39	
EE20	EI33	ETD44	
EE25	EI35	ETD49	
EE30	EI40	RM8	
EE36	EER28	RM10	
EE42	EER35	RM14	
EE55	EDR2608	PQ2020	
EE65	EDR3909	PQ2620	
EFD15	EPC13	PQ2625	
EFD20	ETD15	PQ3220	

Transformers

Sl.No	Product Description	Our Part No
1	30W -EI30 trf.	301-011
2	20W-EE25 H 8pin	301-012
3	30W-EE30 TRF. H	301-013
4	40W-EE30	301-015
5	24W-EE25 V	301-016
6	343uH PQ2620- 43W	301-024
7	9w-EE20 VERTICAL	301-027
8	12V-6W-EE16H8pin	301-029
9	1.029mH-15W RM8	301-030
10	635uH- 24W RM8	301-031
11	EE13 5V/100A-0.5W-R0	301-037
12	PQ2625-40W	301-079
13	PQ3220 /160uH -60W	301-099
14	EI30-24W/1.684mH	301-100
15	EE25- VERTICAL -25W/890uH	301-101
16	EI30- 36W1.47mH	301-102
17	PQ2620-40W driver	301-113
18	48W EE30 Hor.10 pin	301-141
19	EE20 H 10pin - 400uH- 9 to18W	301-144
20	PQ3220 60V-1250mA	301-148
21	PQ3230- 75W/1200mA-578uH	301-153
22	PQ3230-50W/1200mA-937uH	301-154
23	PQ3230-75W/1400mA/540 uH	301-176
24	200W-4.4mH PQ3230	301-179
25	PQ2625 -150W	301-180
26	EE25 V 18W	301-189
27	EE30 H 12 pin trf.24V 2.5A, 330uH	301-190
28	PQ2620 48VDC/1.2A	301-194
29	50V/1.2A/70W -PQ2625	301-211
30	PQ2620 -40W -320uH	301-232
31	PQ3220 -60V/1250mA trf	301-234
32	EE25 600uH 25W	301-255
33	PQ2020 45V/750mA 480uH	301-261
34	54W/36V/1500mA/PQ2620	301-267
35	54W/72V/700mA/PQ2620	301-268
36	EE16 3x10 776uH-9-6W	301-270
37	36W-36V/1A/PQ2020	301-271
38	36W-48V/750mA/PQ2020	301-273
39	EE25 36V 0.7A Hor. 10pin	301-276
40	EE25 10 pins 6W -200uH	301-277

Sl.No	Product Description	Our Part No
41	PQ3230 225uH-70V/1500mA	301-279
42	14V/2A-EE28 vertical	301-289
43	EE13 H 5V-250mA	301-294
44	PQ3230 -90V/0.8A	301-295
45	PQ2625 -48V/1.25A	301-296
46	PQ2625-58V/1.25A	301-297
47	EI30 -58V/0.865A	301-298
48	EE28 -48V/0.84A	301-299
49	EE20- 15W hor trf	301-305
50	48V-EE25 H trf	301-314
51	EFD25 -36V/1A/905uH	301-322
52	100W- 66-95V/1050mA PQ3230	301-323
53	EE16 -5.6W vertical 3x10	301-335
54	60W -275uH	301-339
55	75W-380uH	301-340
56	EE20-80V-24W	301-355
57	EE25 Hor 10pin 24W	301-366

Chokes

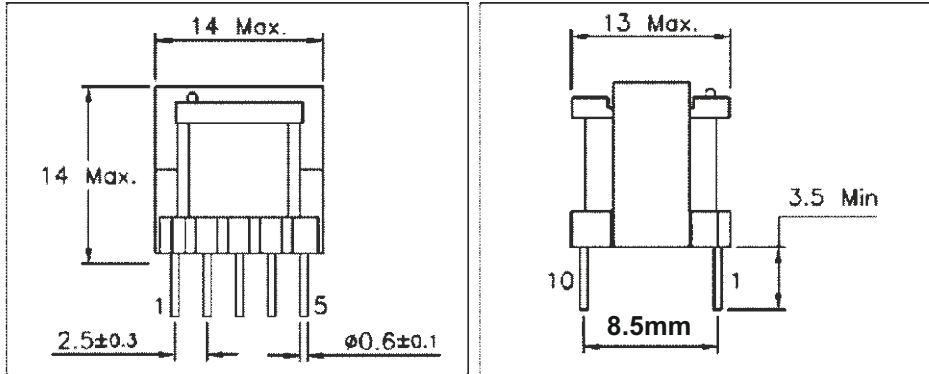
Sl.No	Product Description	Our Part No
1	8.2mH/0.3A uu9.8	303-001
2	EE13-8PIN H	303-002
3	22mH/0.55A/UU10.5	303-003
4	27mH/0.6A/UU10.5	303-004
5	1mH/0.5A/UU9.8	303-005
6	1.5mH/0.7A/UU10.5	303-006
7	30mH/0.3A/UU9.8	303-007
8	7mH/0.5A/UU10.5	303-008
9	T10-10uH/3.5A	303-009
10	14mH/0.3A/uu10.5	303-010
11	10mH/0.4A/uu10.5	303-011
12	5.5mH/1.8A/EE2506	303-012
13	15mH/1A/EE2506	303-013
14	T12.5 y/w/15uH/3A	303-014
15	2.2mH/0.7A/UU10.5	303-015
16	CANCELLED	303-016
17	30mH/0.3A/UU9.8	303-017
18	EE13 - 1.1mH H	303-018
19	EE16 H 170uH +/-20%	303-019
20	15mH/0.3A/UU9.8	303-020

Sl.No	Product Description	Our Part No
21	20mH /UU15	303-021
22	20mH/0.5A/EE25 9x6	303-022
23	4.5mH/0.25A/EE20 H	303-023
24	EE13 H 300uH	303-024
25	EE13 V 4.5mH	303-025
26	CHOKE-33uH Y/W	303-026
27	CHOKE-EE42	303-027
28	CHOKE CMC-1.5mH	303-028
29	EE13 choke-1.24mH	303-029
30	EE13 choke-850uH-8W	303-030
31	EE13choke-2mH-6W	303-031
32	EFD15 -700uH	303-032
33	T1606 MSB5S CMC	303-033
34	EFD15-960uH	303-034
35	10mH/1.5A/uu10.5	303-035
36	22mH/1A/EE2506	303-036
37	EE20 choke 550uH	303-037
38	22mH/0.6A/UU10.5	303-038
39	1.3mH-EE13-pin 1&5	303-039
40	6mH/1.2A EE2506	303-040
41	T184x26y/w 80uH	303-041
42	T25x10-black- 300uH	303-042
43	47mH/0.4A/UU10.5	303-043
44	1.5mH/1A/UU10.5	303-044
45	36mH/0.2A/uu9.8 H mtg.	303-045
46	9mH/0.175A/UU9.8	303-046
47	EFD15 -8pin thro hole	303-047
48	CMC-22mH/0.2A/UU10.5	303-048
49	CMC-36mH/0.45A/UU10.5	303-049
50	EE10 choke Hor.	303-050
51	EFD15 SMD H 10pin -1.2mH	303-051
52	EFD15 SMD H 10pin -680uH	303-052
53	EFD15 SMD H 10pin-2mH	303-053
54	2mH/0.6A/EE13 V	303-054
55	EE13 H 640uH-pin 1&5	303-055
56	47mH/0.7A/EE2506	303-056
57	220uH/2A/EE20 V 10PIN	303-057
58	EE10 choke Hor. - TR18T	303-058
59	40mH/0.7A/EE2506	303-059
60	84 uH /4A/5x20 with housing	303-060
61	16mH/1.5A/EE2506	303-061
62	EE16 H choke-4.5mH	303-062

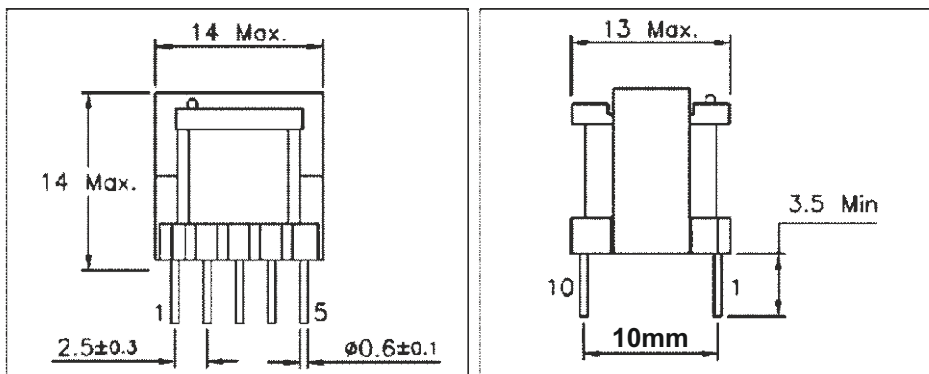
Sl.No	Product Description	Our Part No
63	T12.5 1mH CMC	303-063
64	56mH/0.2A/UU10.5	303-064
65	10mH/0.3A/UU9.8 -7.5*8.5	303-065
66	22mH/0.3A/UU9.8	303-066
67	20mH/0.3A/UU10.5	303-067
68	9mH/0.5A/UU10.5	303-068
69	370uH/0.6A/EE16	303-069
70	500uH/0.6A/EE16	303-070
71	22mH/0.25A/UU9.8	303-071
72	EPC13-720uH/0.3A	303-072
73	EFD20 choke	303-073
74	UU9.8 DMC(DIFF.MODE)	303-074
75	EFD15 700uH / 0.4A choke TH	303-075
76	15mH/0.7A/UU10.5	303-076
77	10mH/0.7A/uu10.5	303-077
78	7mH/1A/UU10.5	303-078
79	15mH/0.7A/EE2506	303-079
80	EFD15 choke 700uH SMD	303-080
81	40mH/0.7A/EE2506	303-081
82	EFD15 700uH/0.4A	303-082
83	25mH/0.6A/UU10.5	303-083
84	14mH/0.7A/UU10.5	303-084
85	4.1mH/0.2A/EFD15 Th hole	303-085
86	27mH/1A/EE2506	303-086
87	22mH/0.25A/UU9.8	303-087
88	22mH/0.35A/UU10.5	303-088
89	7-22mH/0.9A/UU10.5	303-089
90	47mH/0.35A/UU10.5	303-090
91	15-26mH/0.6A/UU10.5	303-091
92	EE10 H 1.2mH/0.25A	303-092
93	EFD15 th 150T/640uH/0.5A	303-093
94	EE25 9x6 -8mH/2.5A	303-094
95	EFD15 260uH/1.5A	303-095
96	T12.5 with base	303-096
97	EFD15 500uH/0.5A TH	303-097
98	EE13H 8PIN -525uH.0.4A	303-098
99	5mH/1.2A/UU10.5	303-099
100	1mH/0.3A/EE10 V	303-100
101	EE20 chokew/o pin	303-101
102	T10 choke	303-102
103	T12.5	303-103
104	10mH/1.0A/uu10.5	303-104

Sl.No	Product Description	Our Part No
105	15mH/0.45A/UU10.5	303-105
106	400uH/0.6A/EE16 3+3	303-106
107	810uH/0.3A/EE13 H	303-107
108	830uH/0.3A/EE13 vertical 10pins	303-108
109	UU9.8- 12mH/0.4A	303-111
110	4.7mH/1.7A/EE259x6	303-112
111	5.6mH/0.5A/UU9.8	303-113
112	15mH/0.3A/UU10.5	303-114
113	EPC13 2mH	303-115
114	UU15 -20mH/1.2A	303-116
115	7mH/1.2A/EE2506	303-117
116	37mH/0.75A/UU15	303-118
117	36mH/0.2A/uu9.8 V mtg.	303-119
118	15mH/0.15A/UU9.8 Hor.	303-120
119	EE 16	303-121
120	EE16	303-122
121	EE 25	303-123
122	EE25	303-124
123	10mH/0.4A/UU9.8- 7.5*8.5	303-125
124	EFD15 TH 770uH/0.4A	303-126
125	R.C 5x20	303-127
126	EE13 Hor choke 1.8mH	303-128
127	4mH/1.2A/UU10.5	303-129
128	13mH/1A/UU15	303-130
129	6mH/1A/UU10.5	303-131
130	6mH/2.2A/EE2506	303-132
131	36mH/0.3A/UU10.5	303-133
132	R.C 5x20	303-134
133	EE13 H 100uH/3.5A	303-135
134	12mH/1.5A/UU10.5	303-136
135	47uH/5A/T12.5 y/w	303-137
136	UU15 -12mH/1.5A	303-138
137	27mH/0.75A/UU15	303-139
138	T16 choke 25T 3A	303-140
139	22mH/0.7A/UU15	303-141
140	EFD15 2 pin - 40uH	303-142
141	EPC13 550uH	303-143
142	EFD20 choke -300uH/1.5A	303-144
143	25mH/0.40A/UU10.5	303-145
144	22mH/1A/UU15	303-146
147	22mH/0.23A/UU9.8 (2036)	303-147

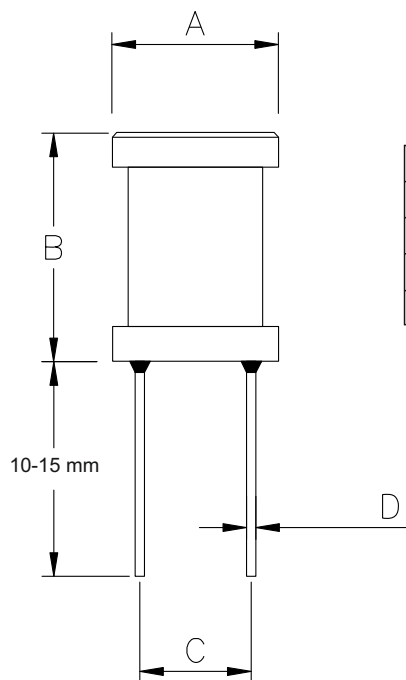
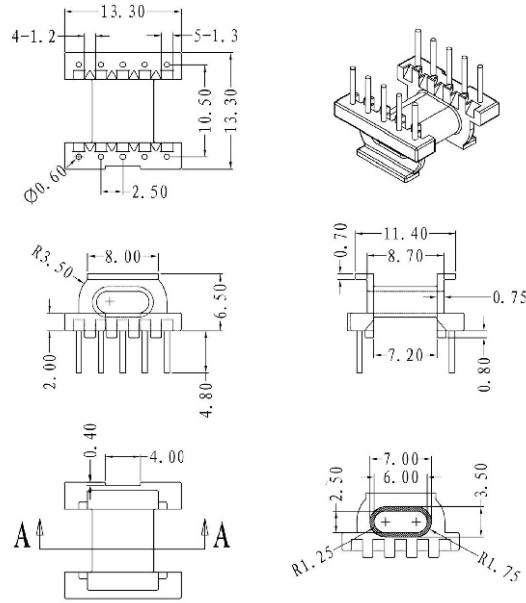
EE1306 10PIN VERTICAL BOBBIN
(2.5mm x 8.5mm)



EE1306 10PIN VERTICAL BOBBIN
(2.5mm x 10mm)



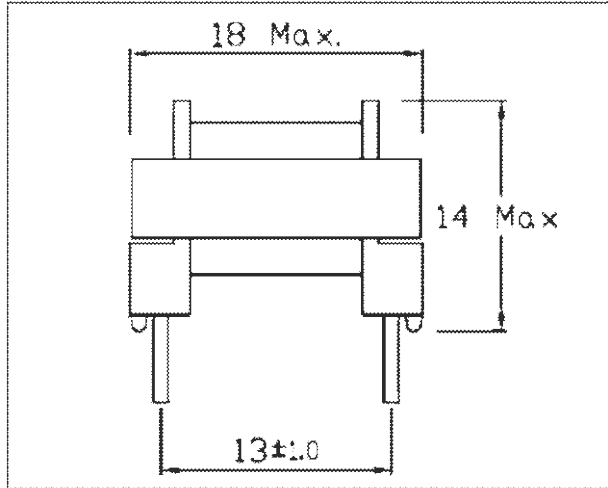
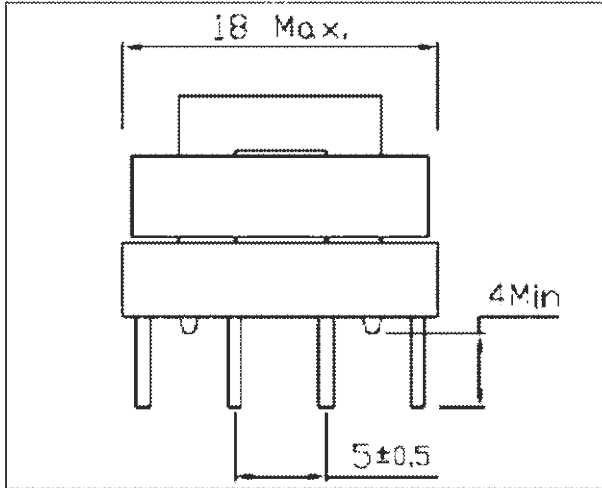
EPC-13 (H) 10Pin



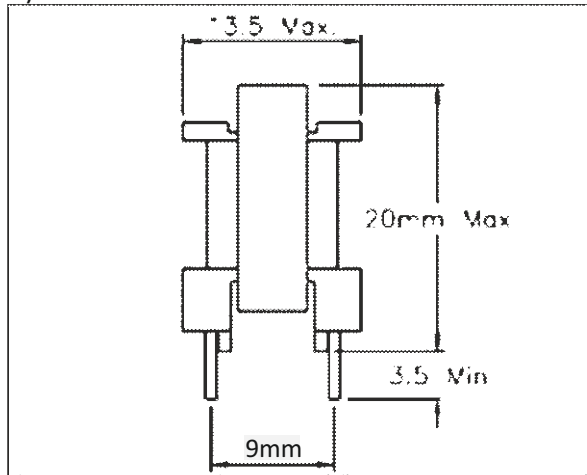
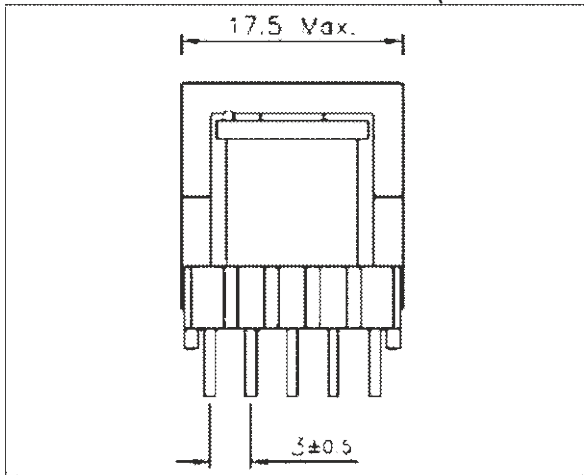
Drum Core Dimensions

	6x8	8x10	8x12	10x12	12x15
A	6mm	8mm	8mm	10mm	12mm
B	8mm	10mm	12mm	12mm	15mm
C	2.5mm	5mm	5mm	6mm	7.5mm
D	0.6mm	0.6mm	0.6mm	0.8mm	0.8mm

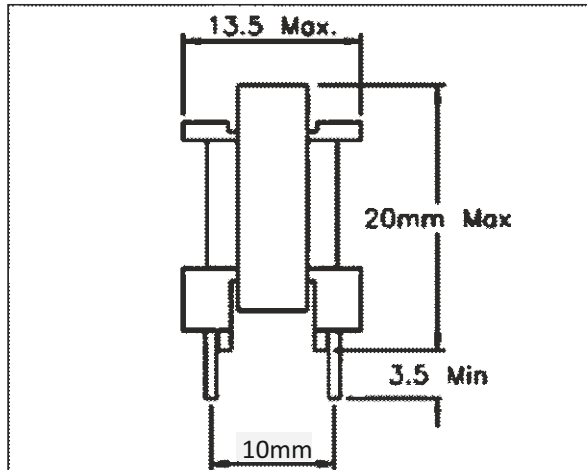
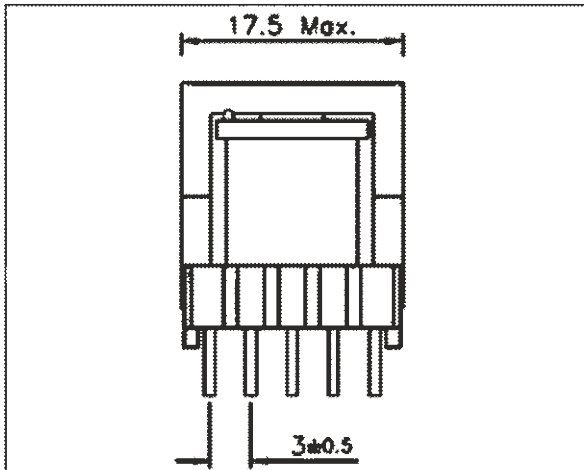
EE1605 8 pin Horizontal Bobbin



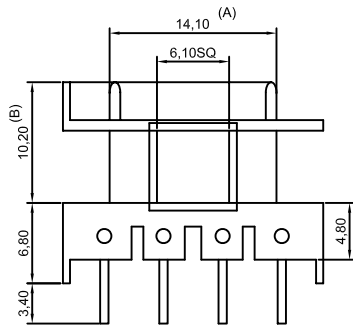
EE1605 10 pin Vertical Bobbin (3x9 mm Pitch)



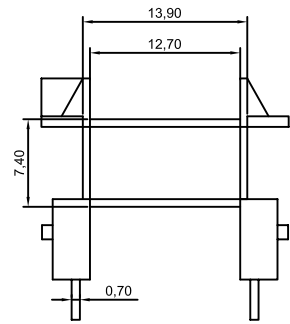
EE1605 10 pin Vertical Bobbin (3x10 mm Pitch)



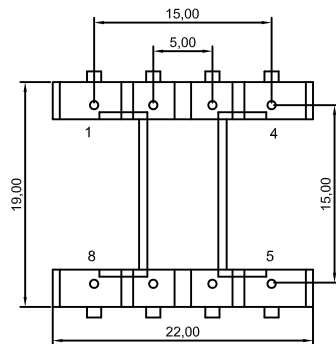
EE 2006 HORIZONTAL 8 PIN



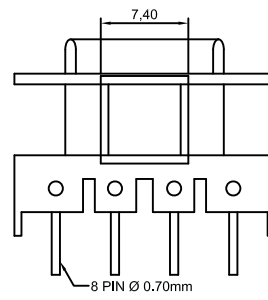
FRONT VIEW



R.H.SIDE VIEW

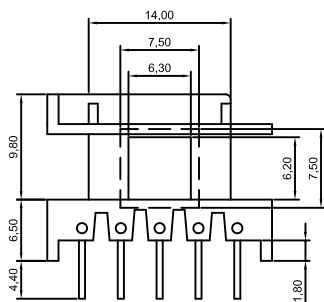


BOTTOM VIEW

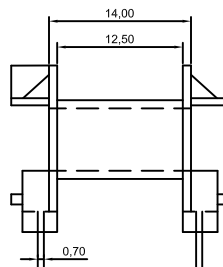


BACK VIEW

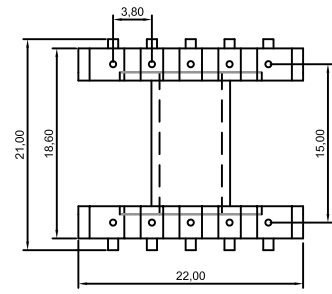
EE 2006 HORIZONTAL 10 PIN



FRONT VIEW

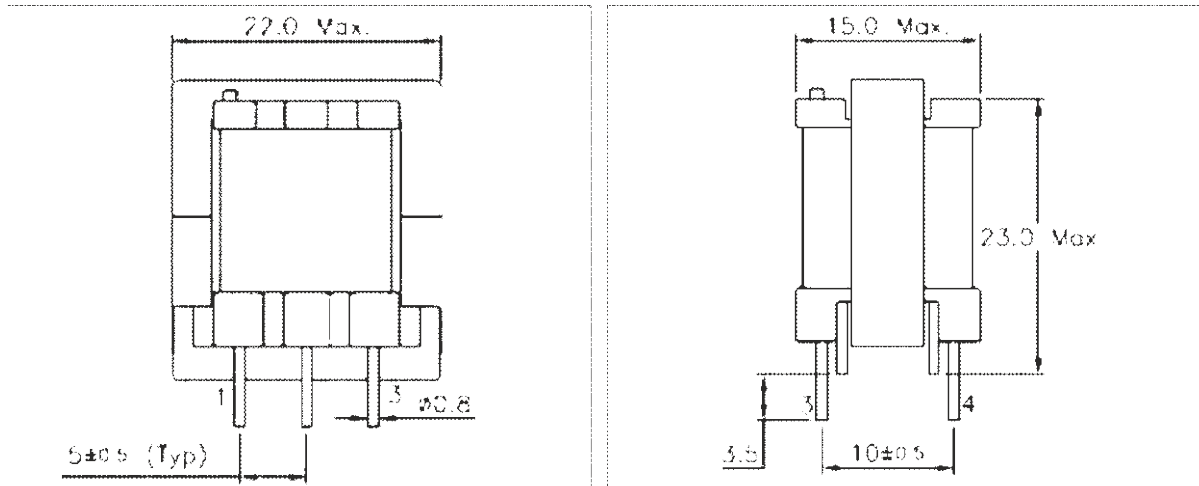


R.H.SIDE VIEW

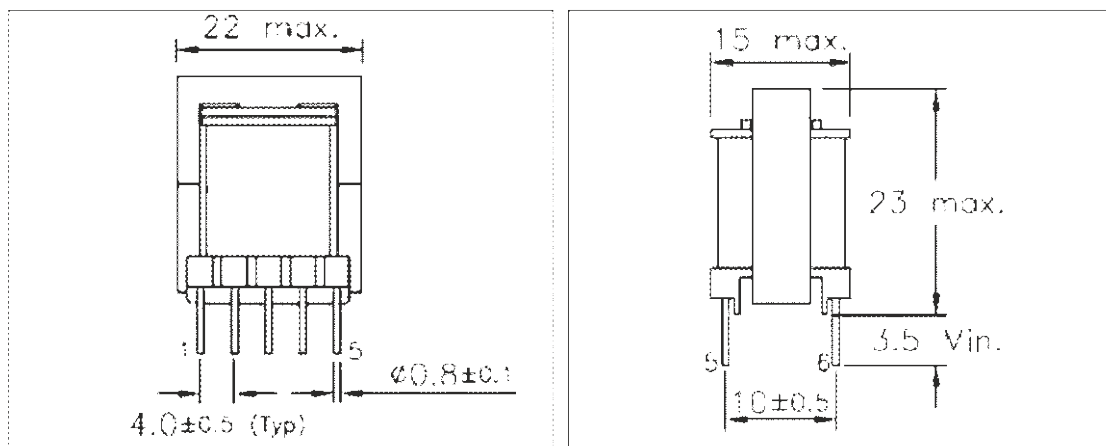


BOTTOM VIEW

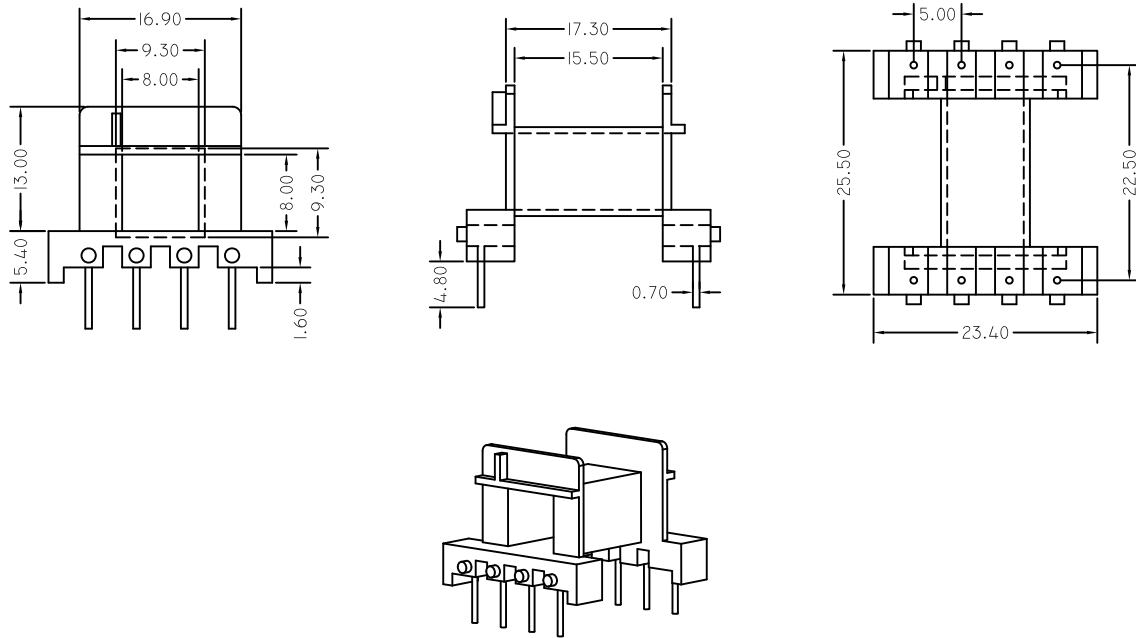
EE20 (6 Pins) Vertical Bobbin



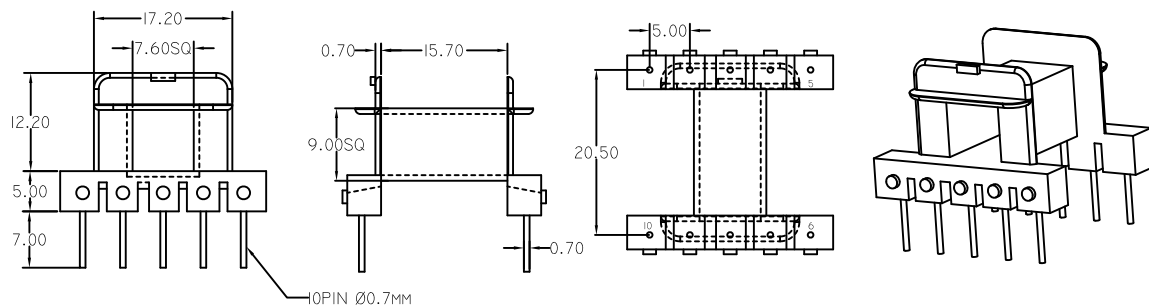
EE20 Vertical 10 Pins Bobbin



EE 2507 HORIZONTAL 8 PIN

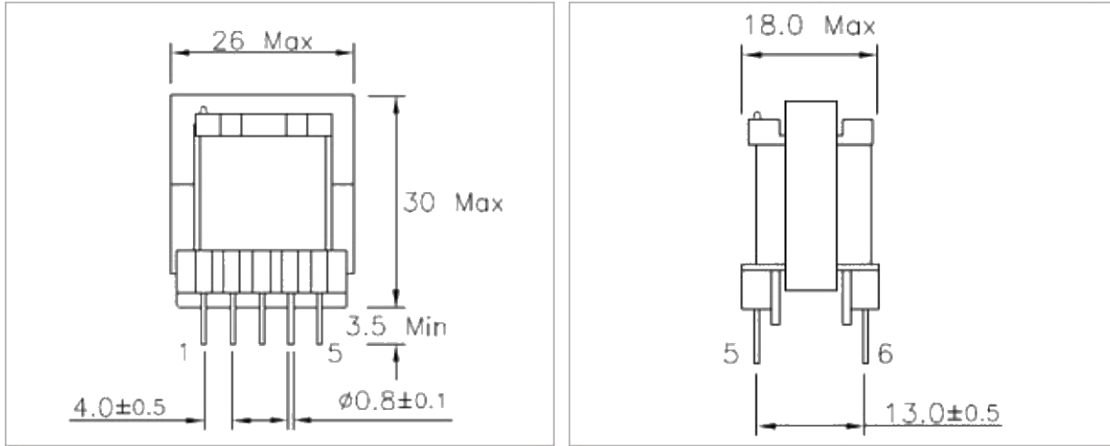


EE 2507 HORIZONTAL 10 PIN

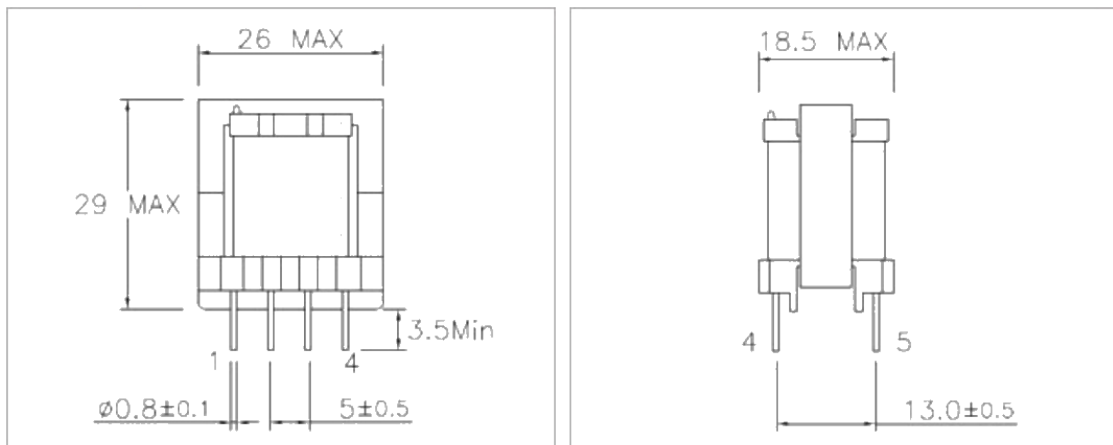


EE2507 10 Pin Vertical Bobbin

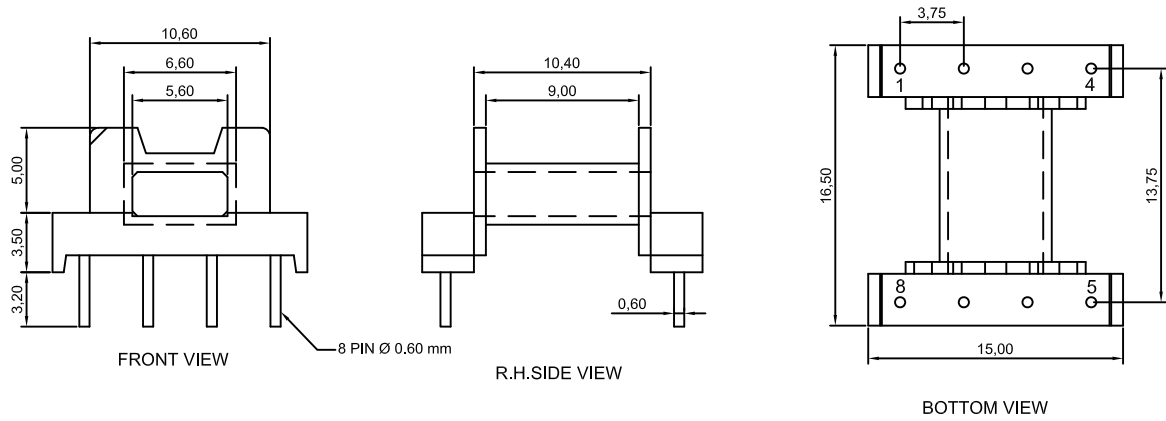
EE2507 10 pin Vertical Bobbin



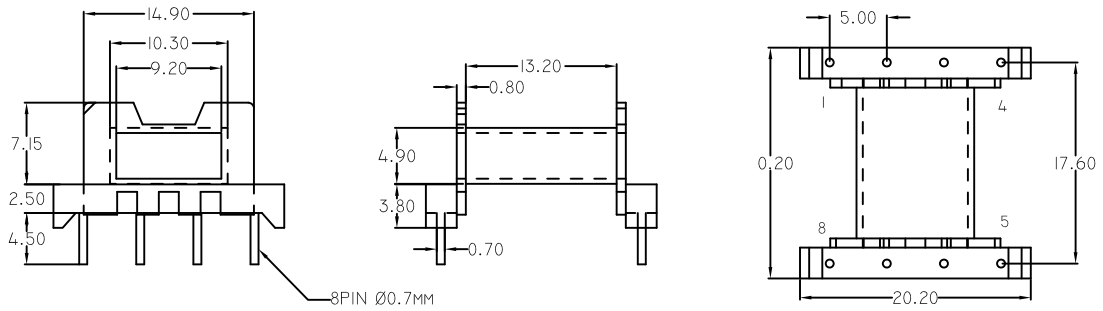
EE2507 8 Pins Vertical Bobbin



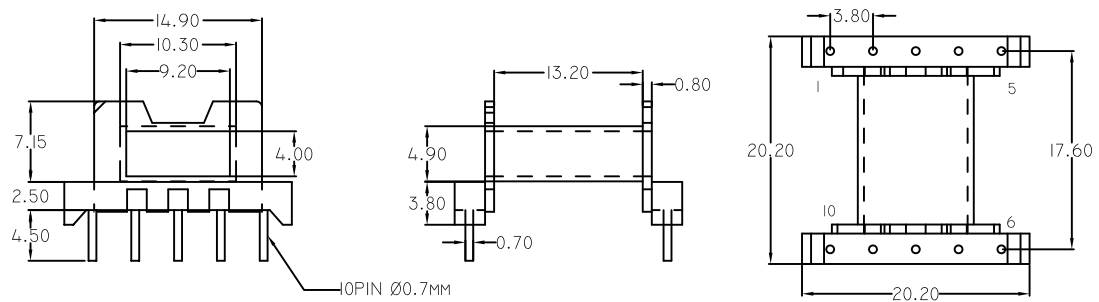
EFD 1505 HORIZONTAL 8PIN



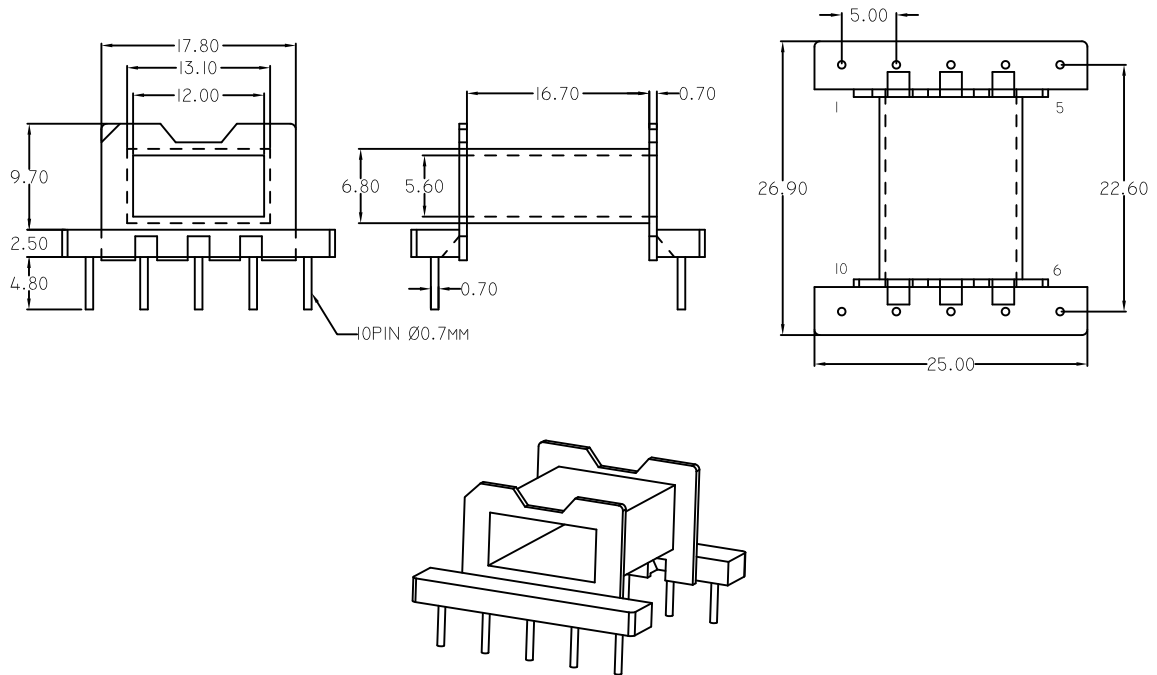
EED20 HORIZONTAL 8PIN



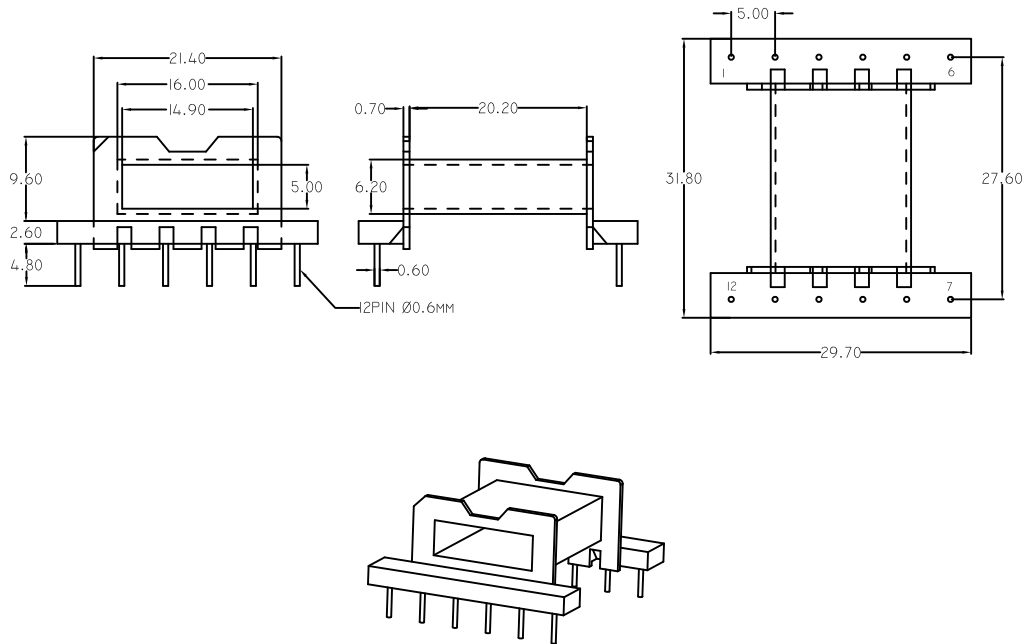
EFD20 HORIZONTAL 10PIN



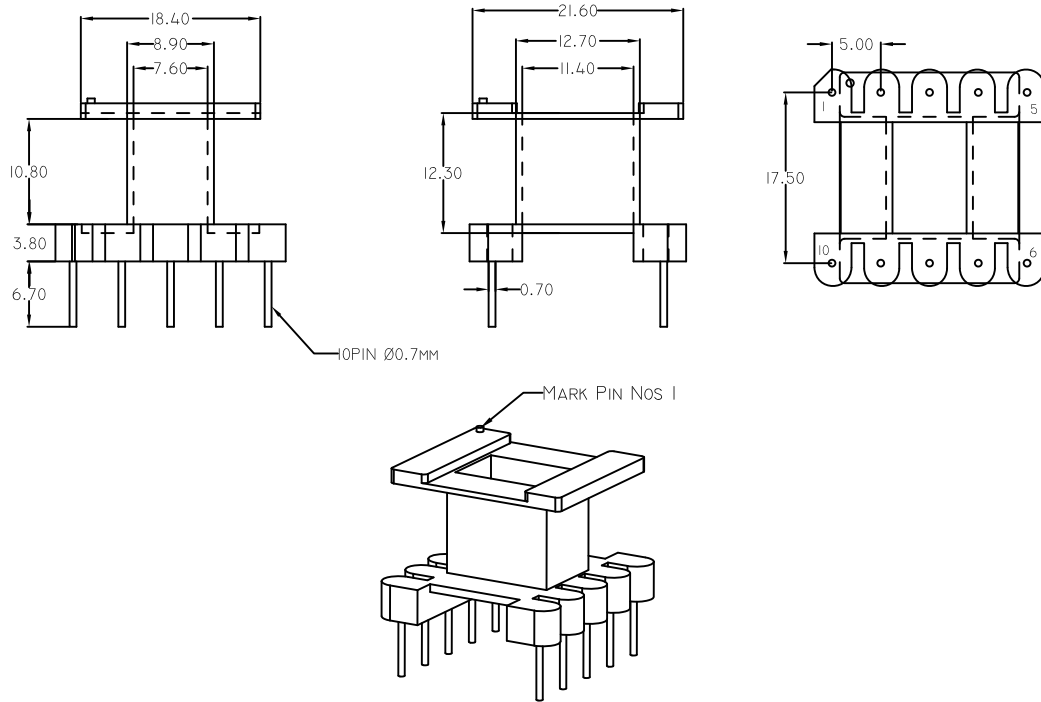
EED25 HORIZONTAL 10PIN



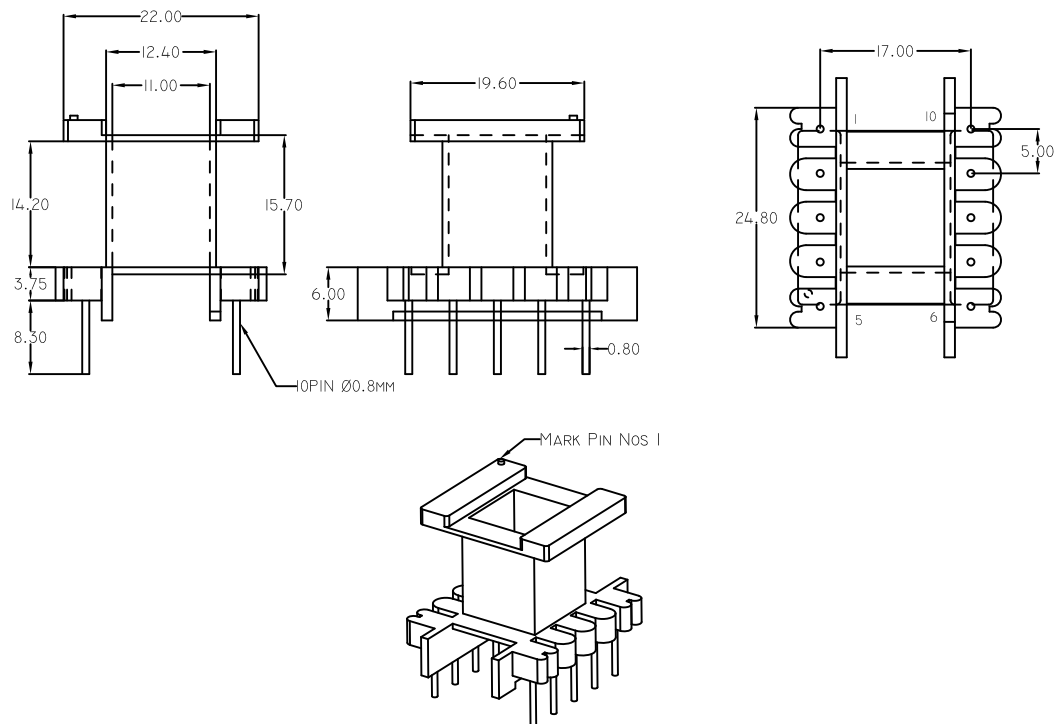
EFD30 HORIZONTAL 12PIN



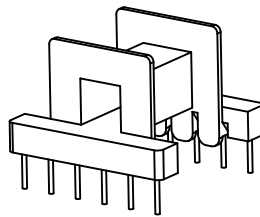
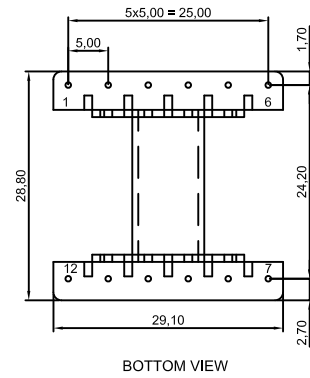
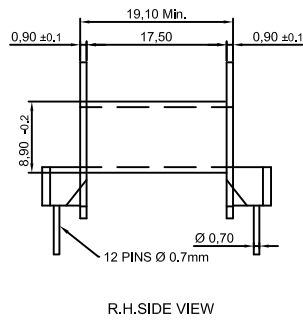
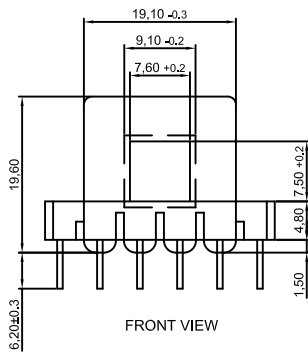
EE28 (or) EI28 VER. 10PIN



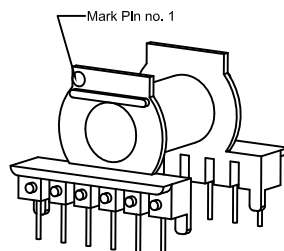
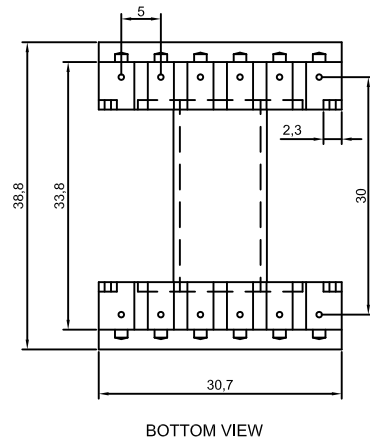
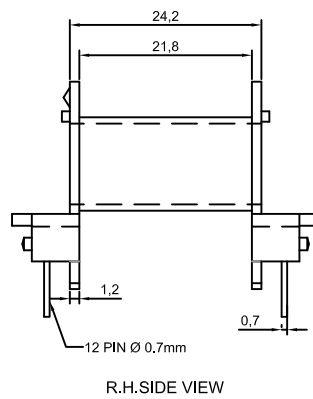
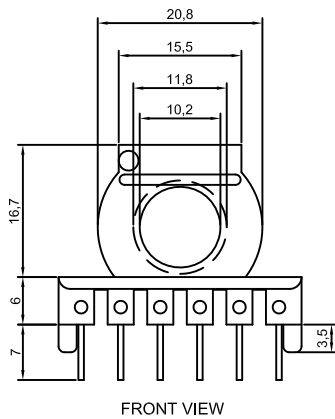
EI30 VER. 10PIN



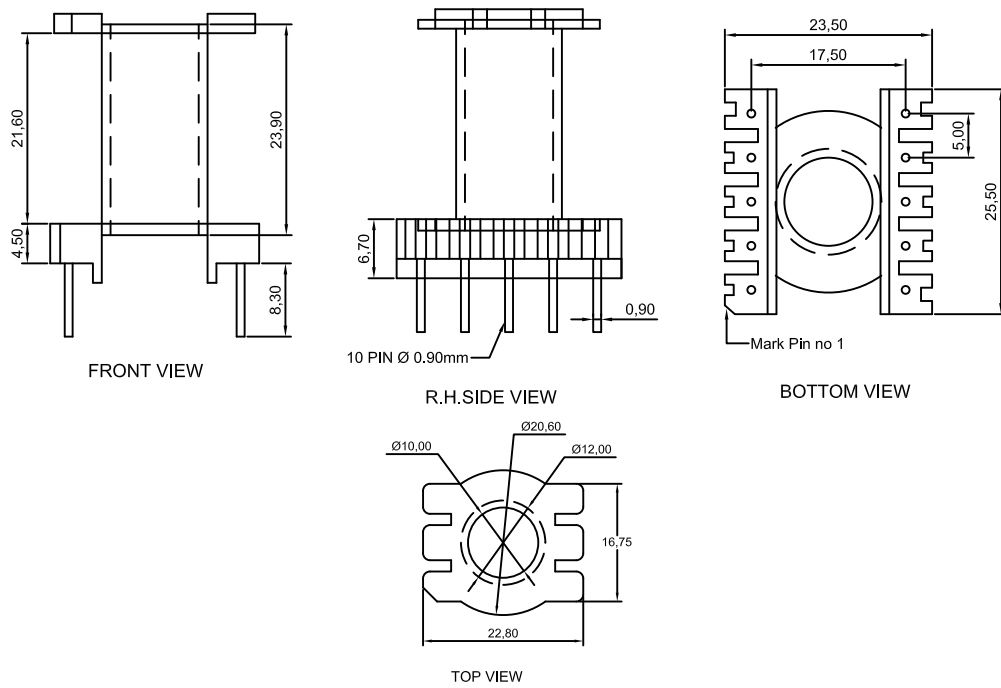
EE 3007 HORIZONTAL 12PIN



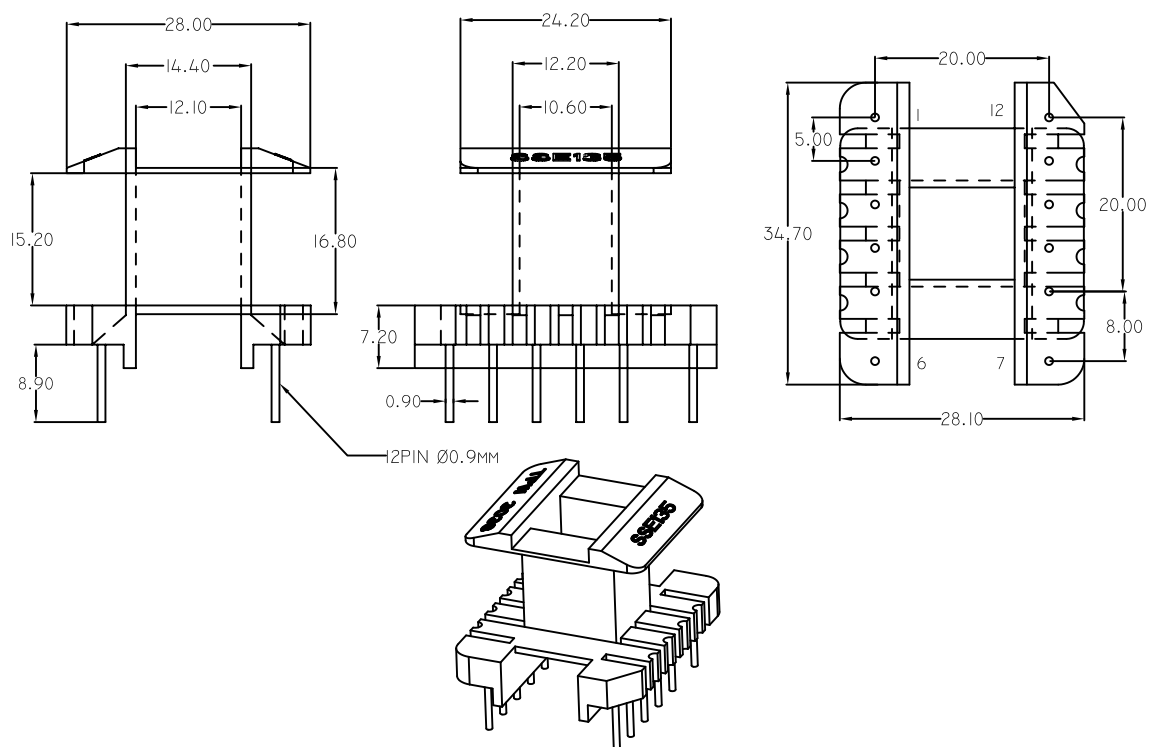
EER 2811 HORIZONTAL 12PIN



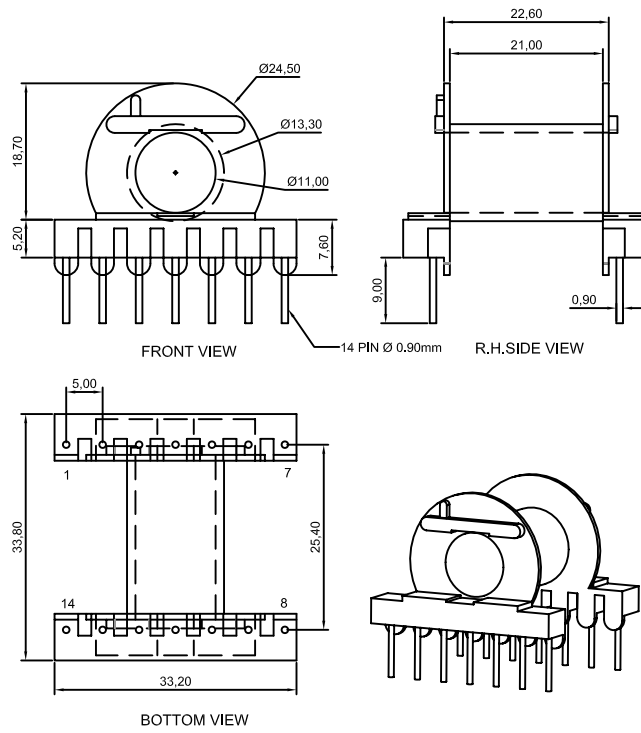
EER 2811 VERTICAL 10PIN



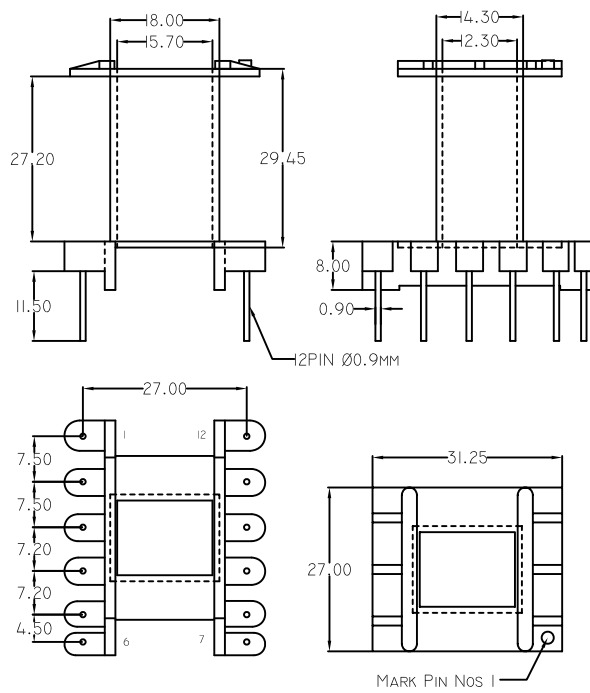
E135 VER. (12PIN)



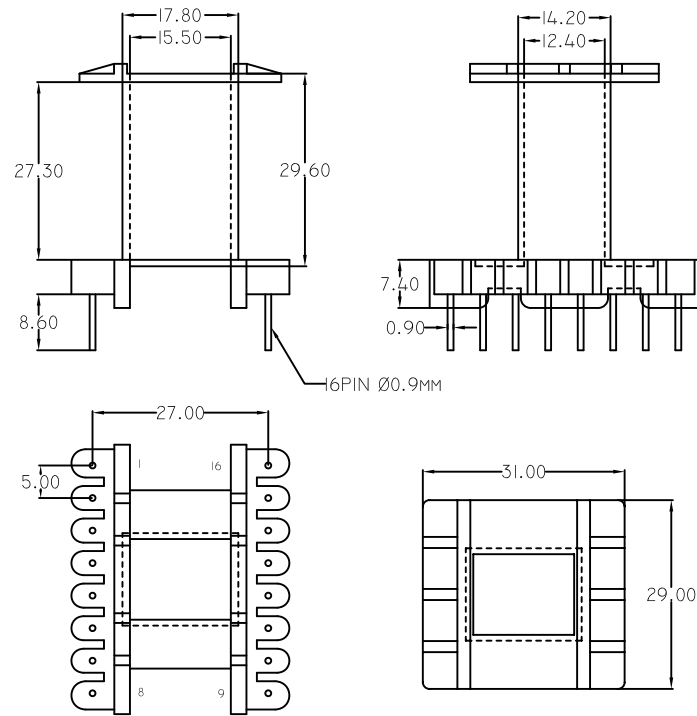
ETD 3411 HORIZONTAL 14 PIN



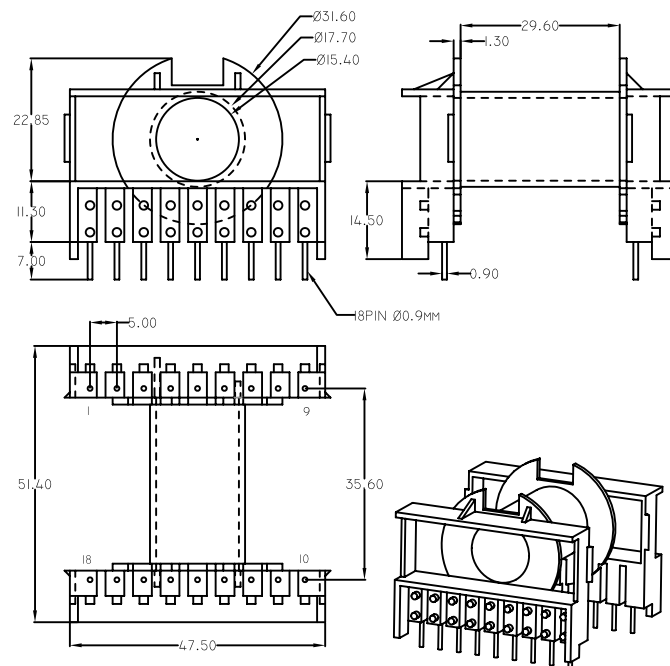
EE4215 VER.12PIN



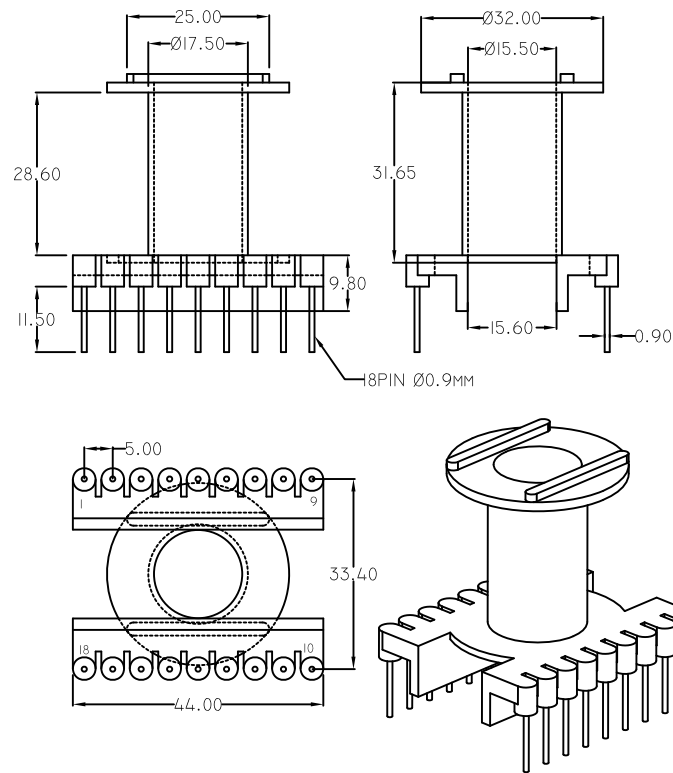
EE4215 VER.16PIN



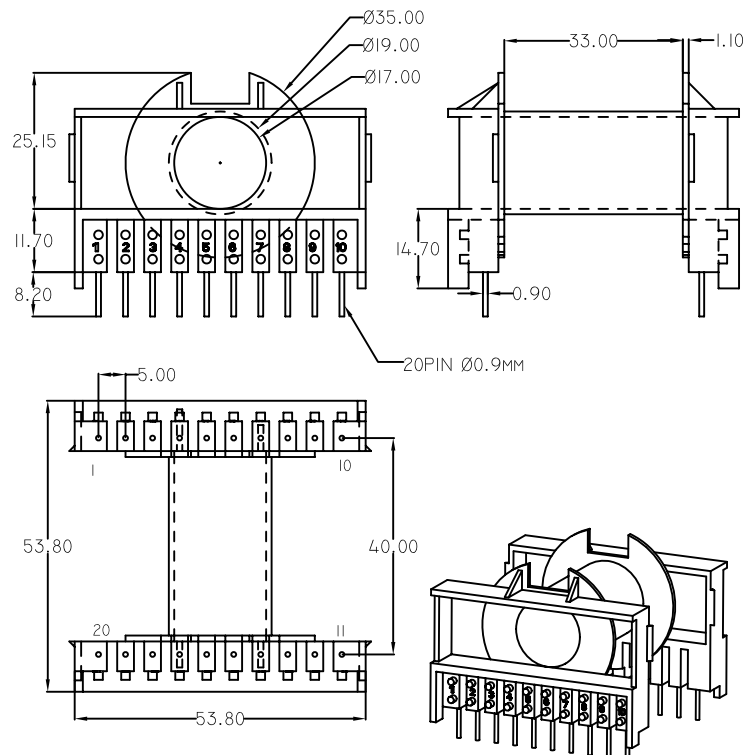
ETD4415 HORIZONTAL 18 PIN



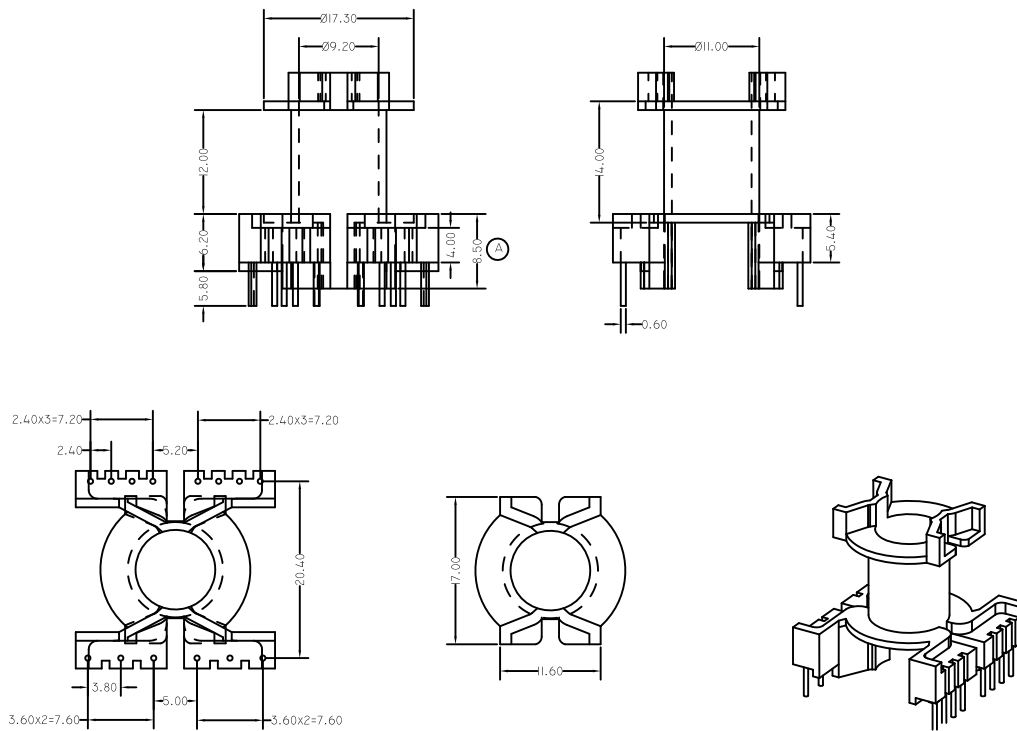
ETD4415 VER. 18PIN



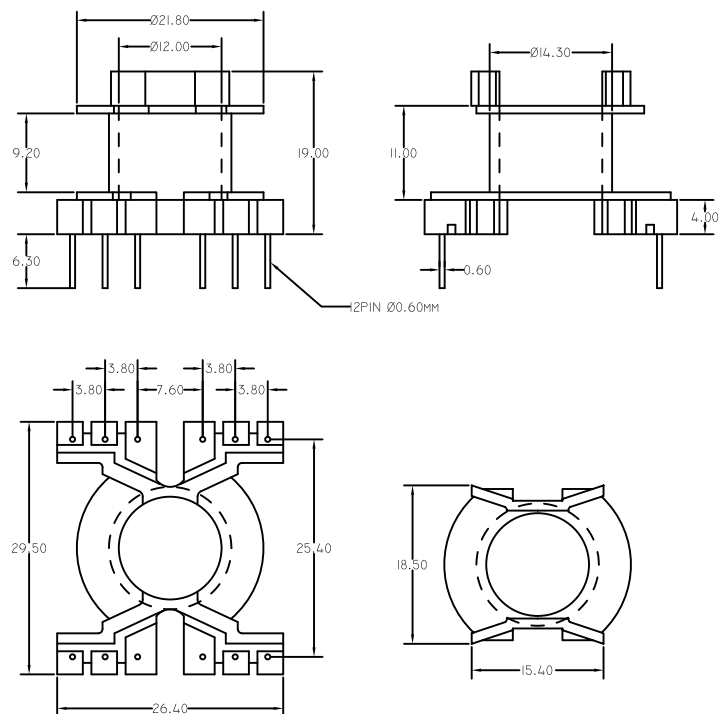
ETD4917 HOR. 20PIN



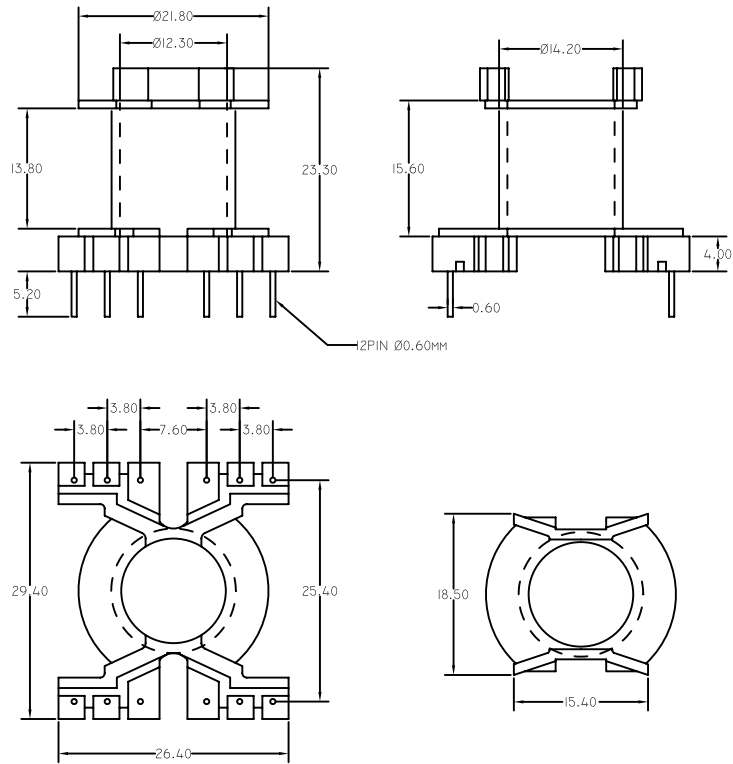
PQ2020 VER. 14PIN



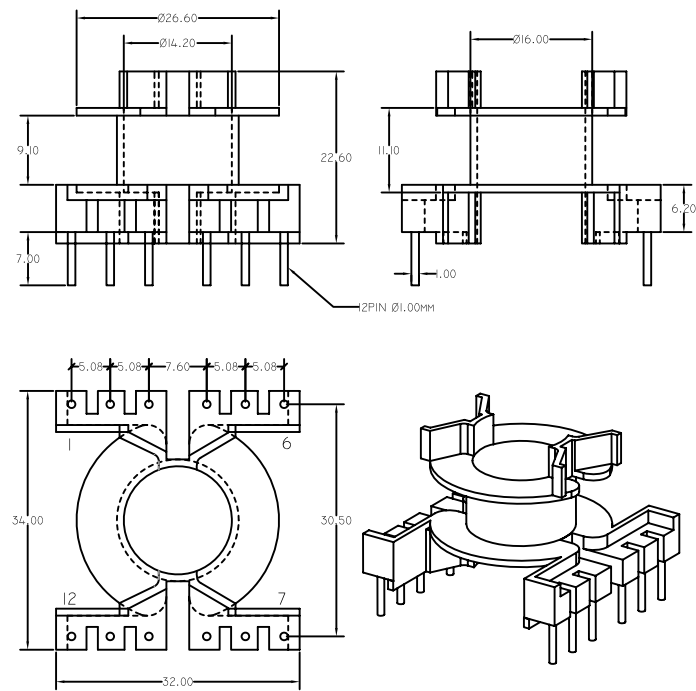
PQ2620 VER. 12PIN



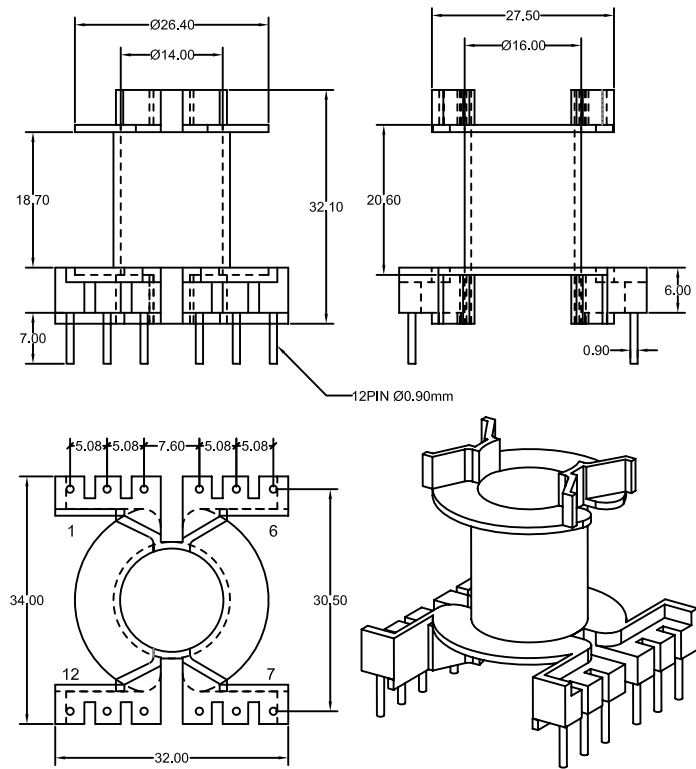
PQ2625 VER.12PIN



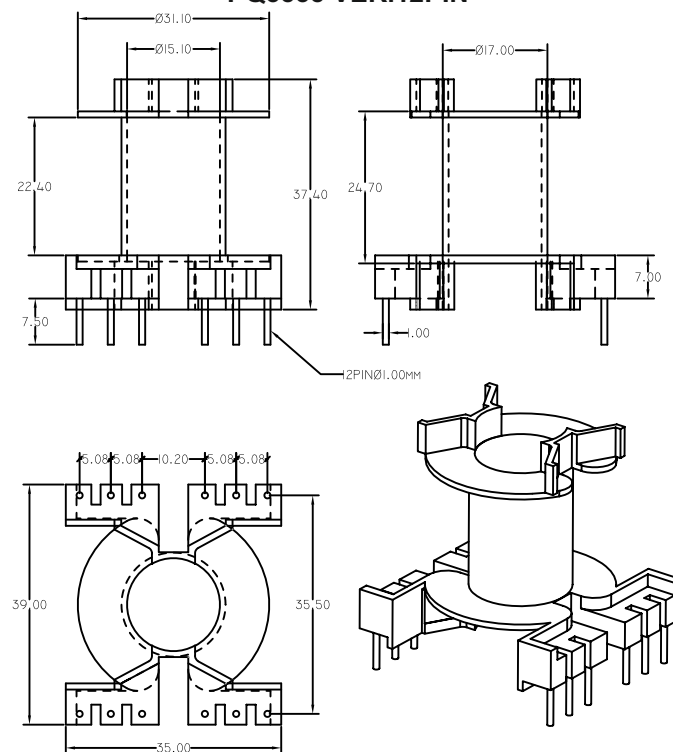
PQ3220 VER.12PIN



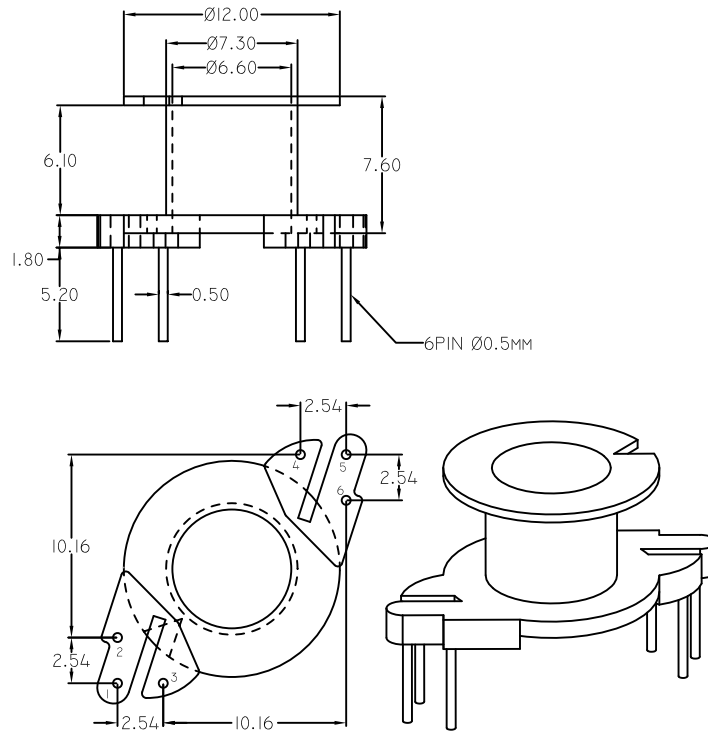
PQ3230 VER.12PIN



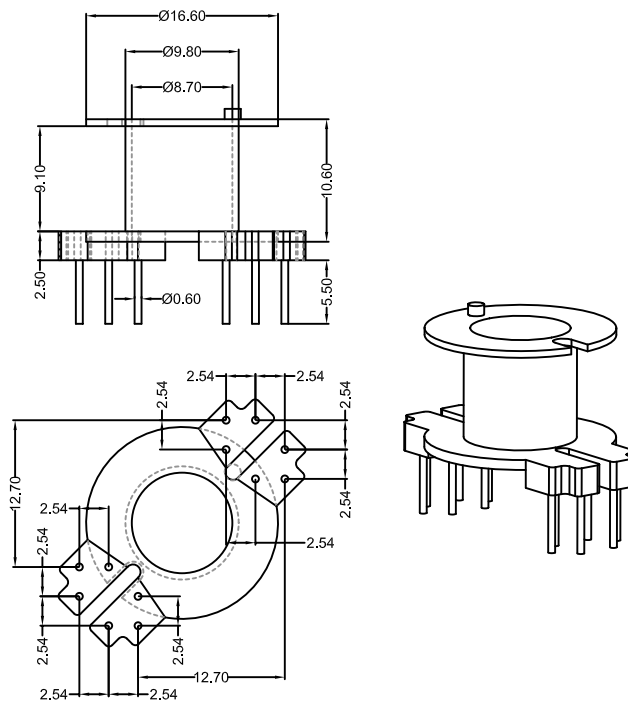
PQ3535 VER.12PIN



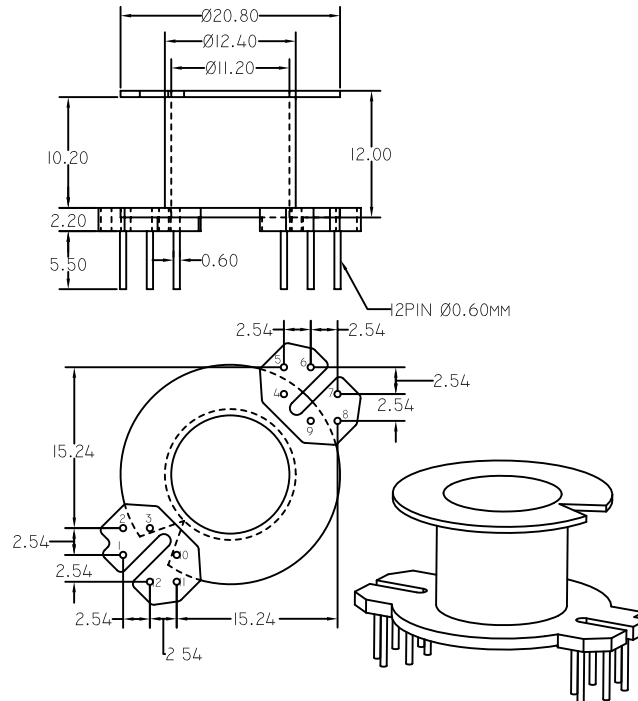
RM6 VER. 6PIN



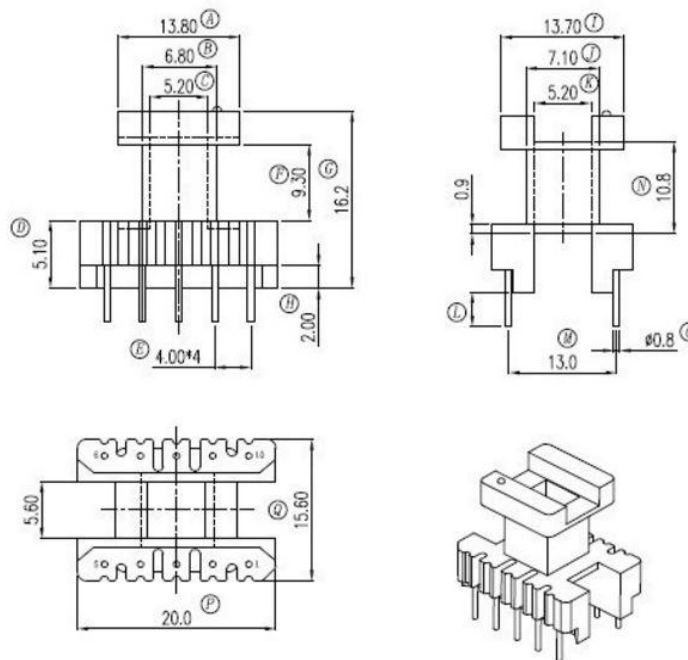
RM8 VERTICAL 12PIN



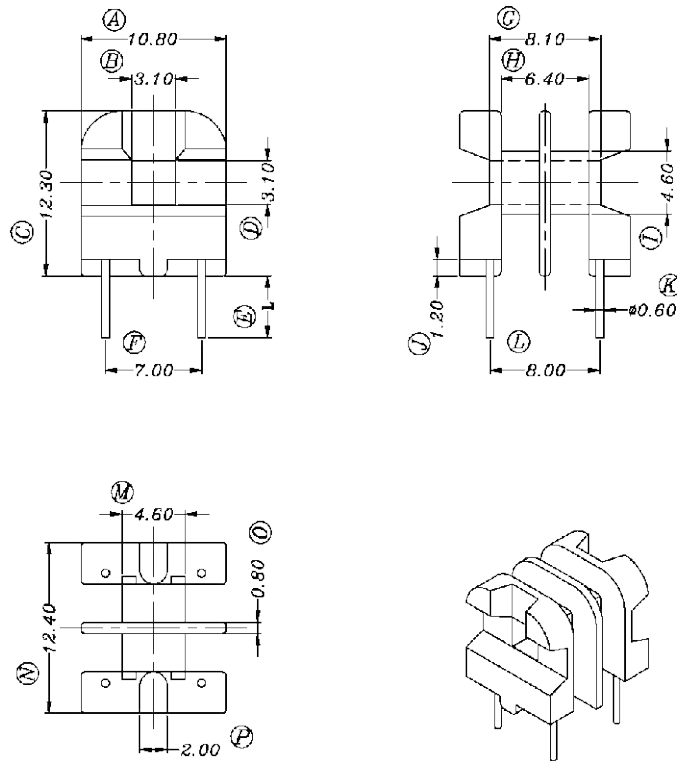
RM10 VER. 12PIN



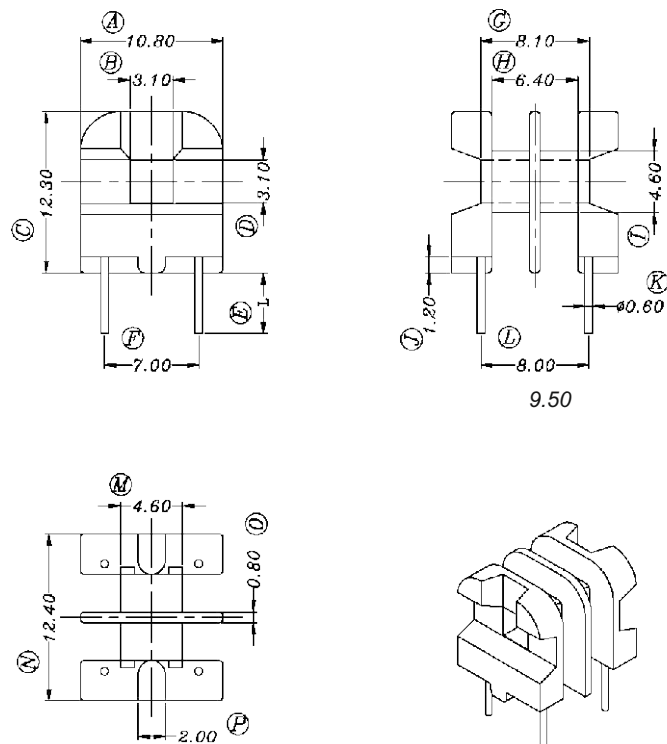
EE19 Vertical 10 Pins



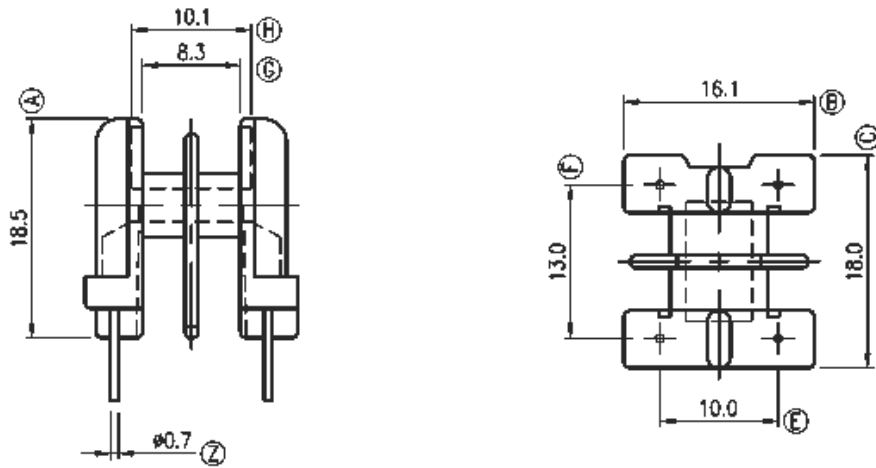
TYPE - A UU9.8 (7mm-8mm)



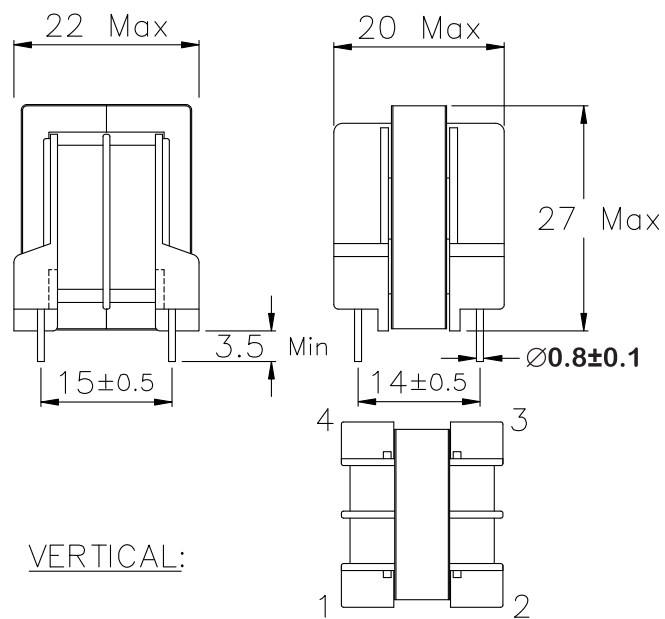
TYPE - B UU9.8 (7 mm-9.50 mm)

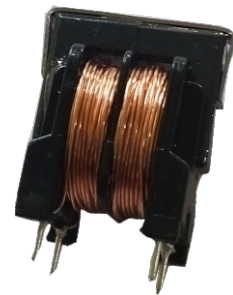
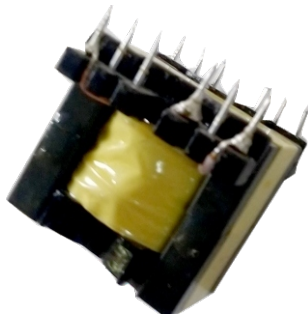
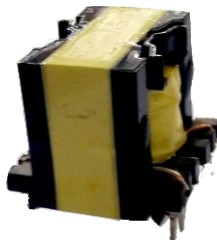
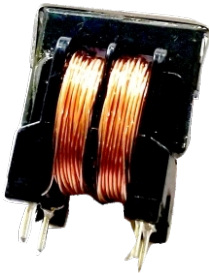


UU10.5(4) Pin



EE2506 - (2Section)





S.K. Enterprises

Manufacture and Supply of Transformers, Chokes and
Magnetic Inductors For Electronics Applications

No.8, Janani, 1st & 2nd Floor, Krishna Street, Near 80 ft. Road, Gubbala
Subramanyapura Post, Bangalore - 560061, Mob : 9880190049 | 9986041924

Email : janani_64@yahoo.co.in / skents114@gmail.com

Web: www.indiamart.com/sk-enterprisebengaluru